



# Alleset

## Safety Guard Cover

CODE	DESCRIPTION (L x W x H)	CASE QTY	CASE DIMENSIONS
 SGB4280	Safety Guard Covers, Bariatric, 42x80x8" (107x203x20cm)	4	24x20x36" (61x51x91cm)
 SGB4880	Safety Guard Covers, Bariatric, 48x80x8" (123x203x20cm)	4	24x20x36" (61x51x91cm)

### Materials

- Polyurethane (PU) Foam
- Polyester Cover
- Polypropylene Webbing Fiber

### Product Attributes

- High density foam raised perimeter
- Elastic fitted sheet design
- Securement straps
- Passes California Technical Bulletin 117-2013

### Shelf Life

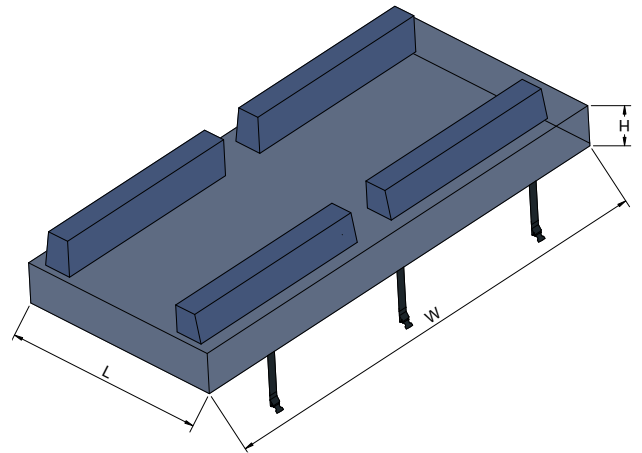
- 5 years

### Manufacturing Certifications/Registrations

- EN ISO 13485:2016
- Medical Device Single Audit Process Certified

### Storage

- General warehouse conditions



Alleset  
4142 Industry Way  
Flowery Branch, GA 30542,  
USA

[www.alleset.com](http://www.alleset.com)

SM-TDS-003 2023

Country of Origin Abbreviations per ISO 3166-1, Alpha-2 Codes.



TENNESSEE FOAM, LLC  
910 Callahan Dr. Ste 108,  
Knoxville, TN 37912  
USA

[www.alleset.com](http://www.alleset.com)

US FDA Establishment Registration #3017728970

