




# Alleset

## Standard Mattresses

CODE	DESCRIPTION (L x W x H)	CASE QTY	CASE DIMENSIONS
 SM3680	Standard Mattress, 36x80x6" (91x203x15cm)	1	36x80x6" (91x203x15cm)
 SM3684	Standard Mattress, 36x84x6" (91x213x15cm)	1	36x84x6" (91x213x15cm)
 SM4280	Standard Mattress, 42x80x6" (107x203x15cm)	1	42x80x6" (107x203x15cm)

### Materials

- Polyurethane (PU) Foam
- Tarpaulin Cover

### Product Attributes

- High density foam
- Tarpaulin cover
- Passes California Technical Bulletin 117-2013

### Shelf Life

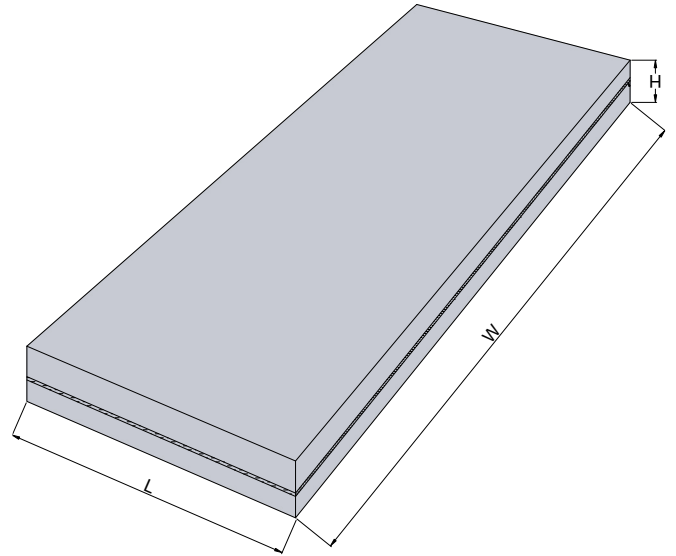
- 5 years

### Manufacturing Certifications/Registrations

- EN ISO 13485:2016
- Medical Device Single Audit Process Certified

### Storage

- General warehouse conditions



Alleset  
4142 Industry Way  
Flowery Branch, GA 30542,  
USA

[www.alleset.com](http://www.alleset.com)

SM-TDS-003 2023

Country of Origin Abbreviations per ISO 3166-1, Alpha-2 Codes.

THINK.MAKE.PROTECT.



TENNESSEE FOAM, LLC  
910 Callahan Dr. Ste 108,  
Knoxville, TN 37912  
USA

[www.alleset.com](http://www.alleset.com)

US FDA Establishment Registration #3017728970

A GRI COMPANY

