

Patient Positioning

Patient Positioning Straps

CODE	DESCRIPTION	CASE QTY	CASE DIMENSIONS
50-KB2011	Patient Positioning Strap, 5x32" (13x82cm)	60	20x18x10" (50x45x25cm)

Materials

- Velcro Hook
- Two-Layered Laminated Polyester Fabric
- Metal Buckle - Nickel Plated Q235 Carbon Steel

Product Attributes

- Hook and loop securement
- Metal buckle
- Two-piece design

Sterilization

Non-Sterile: This product is intended to be used non-sterile. If the repackager intends to sterilize this product, a validation must be conducted to demonstrate their sterilization process will meet all the ISO 11135 and EN 10993 requirements to demonstrate sterility and EO/ECH residual compliance. It must be done according to their validated sterilization process.

Shelf Life

Non-Sterile: Established at 5 years based upon sterile packaged product aging studies and normal warehouse storage conditions. After 5 years, the product should be performance tested to ensure compliance to specifications.

Product Certifications/Standards

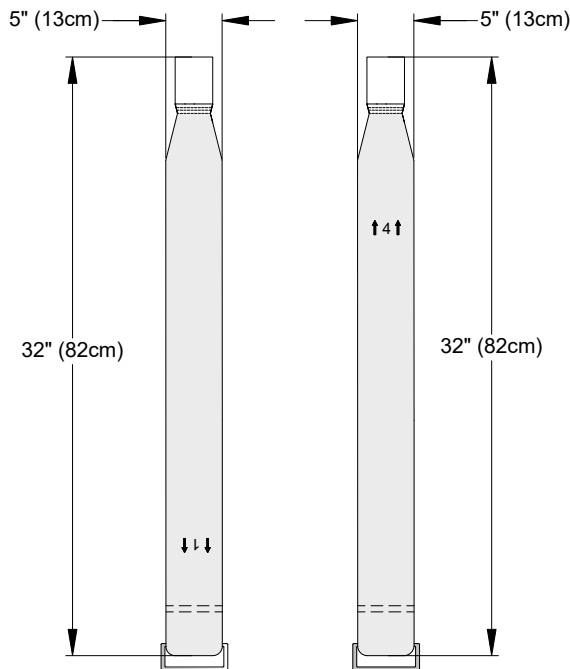
- CE certified as Class I, according to MDR 2017/745 Annex VIII, Rule 1

Manufacturing Certifications/Registrations

- EN ISO 13485:2016
- Medical Device Single Audit Process Certified

Storage

- General warehouse conditions



NON-STERILE

Alleset
4142 Industry Way
Flowery Branch, GA 30542,
USA
www.alleset.com
SM-TDS-003 2023
Country of Origin Abbreviations per ISO 3166-1, Alpha-2 Codes.



GRI Medical & Electronic Technology Co., LTD
1805 Honggao Road,
314031 Jiaxing, Zhejiang
PEOPLE'S REPUBLIC OF CHINA
www.alleset.com
US FDA Establishment Registration #3004911384



Emergo Europe B.V.
Westervoortsedijk 60,
6827 AT Arnhem,
The Netherlands
www.emergobyul.com

