

# Patient Positioning

## Patient Positioning Straps

CODE	DESCRIPTION	CASE QTY	CASE DIMENSIONS
50-KB2010	Patient Positioning Strap, 3x32" (8x82cm)	100	20x18x10" (50x45x25cm)

### Materials

- Velcro Hook
- Two-Layered Laminated Polyester Fabric
- Metal Buckle - Nickel Plated Q235 Carbon Steel

### Product Attributes

- Hook and loop securement
- Metal buckle
- Two-piece design

### Sterilization

**Non-Sterile:** This product is intended to be used non-sterile. If the repackager intends to sterilize this product, a validation must be conducted to demonstrate their sterilization process will meet all the ISO 11135 and EN 10993 requirements to demonstrate sterility and EO/ECH residual compliance. It must be done according to their validated sterilization process.

### Shelf Life

**Non-Sterile:** Established at 5 years based upon sterile packaged product aging studies and normal warehouse storage conditions. After 5 years, the product should be performance tested to ensure compliance to specifications.

### Product Certifications/Standards

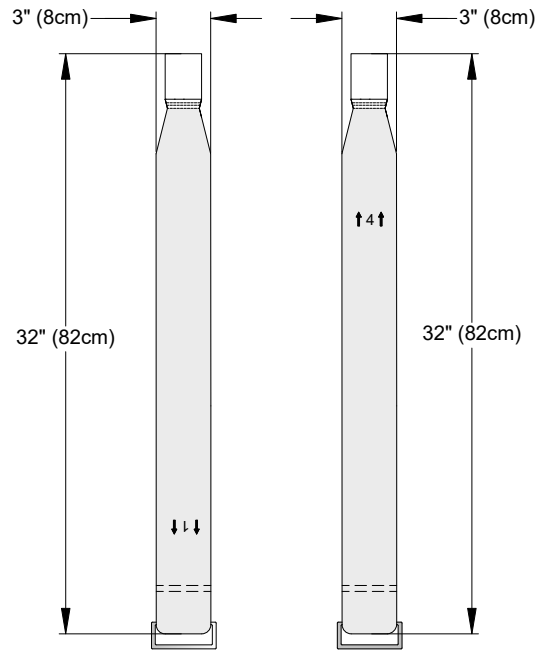
- CE certified as Class I, according to MDR 2017/745 Annex VIII, Rule 1

### Manufacturing Certifications/Registrations

- EN ISO 13485:2016
- Medical Device Single Audit Process Certified

### Storage

- General warehouse conditions



Alleset  
4142 Industry Way  
Flowery Branch, GA 30542,  
USA  
www.alleset.com  
SM-TDS-003 2023  
Country of Origin Abbreviations per ISO 3166-1, Alpha-2 Codes.



GRI Medical & Electronic Technology Co., LTD  
1805 Honggao Road,  
314031 Jiaxing, Zhejiang  
PEOPLE'S REPUBLIC OF CHINA  
www.alleset.com  
US FDA Establishment Registration #3004911384



Emergo Europe B.V.  
Westervoortsedijk 60,  
6827 AT Arnhem,  
The Netherlands  
www.emergobyul.com

