


Allecare

Heel Slope Mattress

CODE	DESCRIPTION (LxWxH)	CASE QTY	CASE DIMENSIONS
 HSM3680	Heel Slope Mattress 36x80x6" (91x203x15cm)	1	36x80x6" (91x203x15cm)

Materials

- Polyurethane (PU) Foam
- Polyester Cover
- Tarpaulin Cover

Product Attributes

- High density foam raised perimeter
- Heel slope design
- Passes California Technical Bulletin 117-2013

Shelf Life

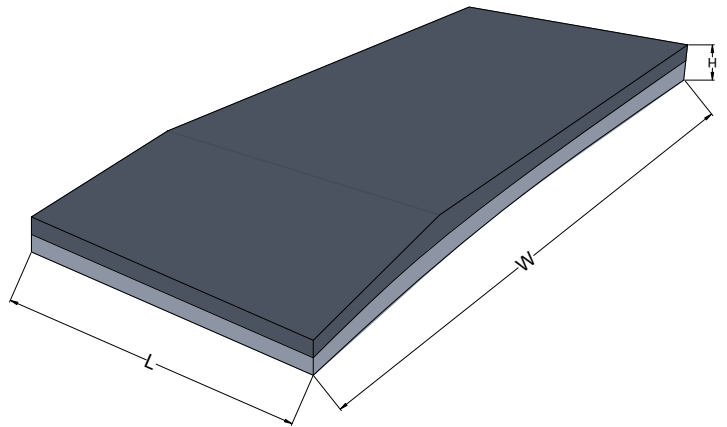
- 5 years

Manufacturing Certifications/Registrations

- EN ISO 13485:2016
- Medical Device Single Audit Process Certified

Storage

- General warehouse conditions



Alleset
4142 Industry Way
Flowery Branch, GA 30542,
USA

www.alleset.com

SM-TDS-003 2023

Country of Origin Abbreviations per ISO 3166-1, Alpha-2 Codes.

THINK.MAKE.PROTECT.



TENNESSEE FOAM, LLC
910 Callahan Dr. Ste 108,
Knoxville, TN 37912
USA

www.alleset.com

US FDA Establishment Registration #3017728970

A GRI COMPANY

