

CORE Room Turnaround Kits®

Armboard Cover

CODE	DESCRIPTION	CASE QTY	CASE DIMENSIONS
50-AMBC01	Armboard Cover, w/ 1.5" Width Strap, 13x30" (33x76cm)	150	16x15x18" (40.5x38x45cm)
50-AMBC02	Armboard Cover, w/ 1.5" Width 2 Straps, 13x30" (33x76cm)	150	16x15x24" (41x38x61cm)

Materials

- Polypropylene (PP)/Polyethylene (PE) Laminated Fabric
- Foam Strap with Hook and Loop Closure

Product Attributes

- Impervious laminated fabric
- Foam armboard strap included
- Sonic bonded seams help prevent strike through

Sterilization

Non-Sterile: If a product is delivered non-sterile and is ultimately for use in sterile environments, it is intended to be sterilized by the re-packer. This includes further packaging and sterilization according to the validated processes of the re-packer. These products are to be sterilized by ethylene oxide (EO). Other methods of sterilization have not been validated by Alleset.

Shelf Life

Non-Sterile: Established at 5 years based upon sterile packaged product aging studies and normal warehouse storage conditions. After 5 years, the product should be performance tested to ensure compliance to specifications.

Product Certifications/Standards

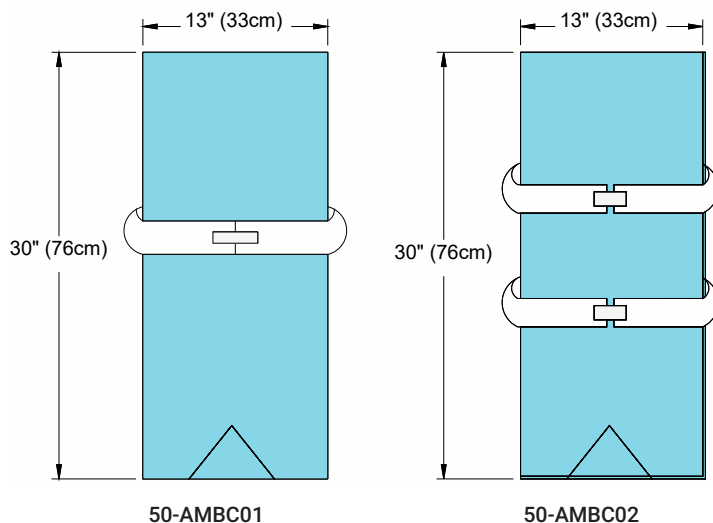
- CE certified as Class I, according to MDR 2017/745 Annex VIII, Rule 1

Manufacturing Certifications/Registrations

- EN ISO 13485:2016
- Medical Device Single Audit Process Certified

Storage

- General warehouse conditions



Alleset
4142 Industry Way
Flowery Branch, GA 30542,
USA
www.alleset.com
SM-TDS-003 2023
Country of Origin Abbreviations per ISO 3166-1, Alpha-2 Codes.



GRI Medical & Electronic Technology Co., LTD
1805 Honggao Road,
314031 Jiaxing, Zhejiang
PEOPLE'S REPUBLIC OF CHINA
www.alleset.com
US FDA Establishment Registration #3004911384



Alleset Limited B.V.
Kingsfordweg 151,
1043 GR Amsterdam,
The Netherlands
www.alleset.com

