

WasteStop™

Waste Containment Bowl

CODE	DESCRIPTION	CASE QTY	CASE DIMENSIONS
N 19-1070-RD	Waste Containment Bowl, Red, Assembled	20	15x15x17" (38x38x43cm)
S 19-1070-RD-S	Waste Containment Bowl, Red	20	17x17x18" (43x43x45cm)
N 19-1070B-RD	Waste Containment Bowl, Red, Bulk	200	22x16x20" (56x41x51cm)
N 19-1070-YL	Waste Containment Bowl, Yellow, Assembled	20	15x15x17" (38x38x43cm)
S 19-1070-YL-S	Waste Containment Bowl, Yellow	20	17x17x18" (43x43x45cm)
N 19-1070B-YL	Waste Containment Bowl, Yellow, Bulk	200	22x16x20" (56x41x51cm)
N 19-1071-RD	Waste Containment Bowl, w/o Solidifier, Red, Assembled	20	15x15x17" (38x38x43cm)
S 19-1071-RD-S	Waste Containment Bowl, w/o Solidifier, Red	20	17x17x18" (43x43x45cm)
N 19-1071B-RD	Waste Containment Bowl, w/o Solidifier, Red, Bulk	200	22x16x20" (56x41x51cm)
N 19-1071-YL	Waste Containment Bowl, w/o Solidifier, Yellow, Assembled	20	15x15x17" (38x38x43cm)
S 19-1071-YL-S	Waste Containment Bowl, w/o Solidifier, Yellow	20	17x17x18" (43x43x45cm)
N 19-1071B-YL	Waste Containment Bowl, w/o Solidifier, Yellow, Bulk	200	22x16x20" (56x41x51cm)

Materials

- Bowl:** Polypropylene (PP)
- Lid:** Polyethylene (PE)
 - Closure: Adhesive tape
 - Pad: Super Absorbent Polymer (SAP)

Product Attributes

- Conical insertion point directs fluid into the bowl
- Biohazard adhesive tape closure
- SAP pad absorbs liquid contents

Sterilization

Sterile: Sterilized by EO (ethylene oxide). Product is sterile unless the package has been damaged or opened.

Non-Sterile: If a product is delivered non-sterile and is ultimately for use in sterile environments, it is intended to be sterilized by the re-packager. This includes further packaging and sterilization according to the validated processes of the re-packager. These products are to be sterilized by ethylene oxide (EO). Other methods of sterilization have not been validated by Alleset.

Shelf Life

Sterile: 5 years

Non-Sterile: Established at 5 years based upon sterile packaged product aging studies and normal warehouse storage conditions. After 5 years, the product should be performance tested to ensure compliance to specifications.

Product Certifications/Standards

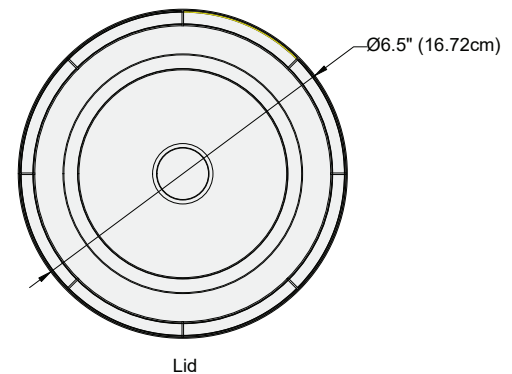
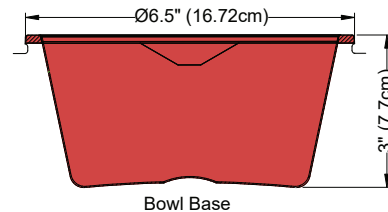
- Sterile:** CE certified as Class I, according to MDD93/42/EEC Annex IX, Rule 1
- Non-Sterile:** CE certified as Class I, according to MDR 2017/745, Annex VIII, Rule 1

Manufacturing Certifications/Registrations

- EN ISO 13485:2016
- Medical Device Single Audit Process Certified

Storage

- General warehouse conditions



Alleset
4142 Industry Way
Flowery Branch, GA 30542,
USA
www.alleset.com
SM-TDS-003 2023
Country of Origin Abbreviations per ISO 3166-1, Alpha-2 Codes.

GRI Medical & Electronic Technology Co., LTD
1805 Honggao Road,
314031 Jiaxing, Zhejiang
PEOPLE'S REPUBLIC OF CHINA
www.alleset.com
US FDA Establishment Registration #3004911384

Emergo Europe B.V.
Westervoortsedijk 60,
6827 AT Arnhem,
The Netherlands
www.emergobyul.com