

Surgical Accessories

Towel Clamp

CODE	DESCRIPTION	CASE QTY	CASE DIMENSIONS
 25-0575	Towel Clamp, White, 2.5" (6cm)	1000	20x10x10" (50x26x25cm)

Materials

- Acrylonitrile Butadiene Styrene (ABS)

Product Attributes

- Easy release tab for repositioning
- Teeth serrations for added grip

Sterilization

Non-Sterile: If a product is delivered non-sterile and is ultimately for use in sterile environments, it is intended to be sterilized by the re-packer. This includes further packaging and sterilization according to the validated processes of the re-packer. These products are to be sterilized by ethylene oxide (EO). Other methods of sterilization have not been validated by Alleset.

Shelf Life

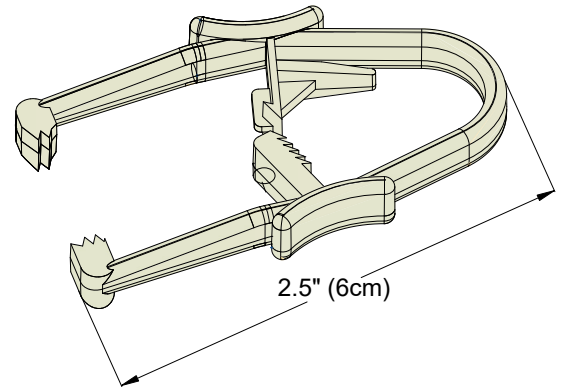
- **Non-Sterile:** Established at 5 years based upon sterile packaged product aging studies and normal warehouse storage conditions. After 5 years, product should be performance tested to ensure compliance to specifications

Product Certifications/Standards

- **Non-Sterile:** CE certified as Class I, according to MDR 2017/745 Annex VIII, Rule 1

Manufacturing Certifications/Registrations

- EN ISO 13485:2016



Alleset
4142 Industry Way
Flowery Branch, GA 30542,
USA

www.alleset.com

SM-TDS-003 2023

Country of Origin Abbreviations per ISO 3166-1, Alpha-2 Codes.

THINK.MAKE.PROTECT.



GRI Medical & Electronic Technology Co., LTD
1805 Honggao Road,
314031 Jiaxing, Zhejiang
PEOPLE'S REPUBLIC OF CHINA
www.alleset.com

US FDA Establishment Registration #3004911384



Emergo Europe B.V.
Westervoortsedijk 60,
6827 AT Arnhem,
The Netherlands
www.emergobyul.com

