

Surgical Drapes

Obstetrics/Gynecology

CODE	DESCRIPTION	CASE QTY	CASE DIMENSIONS
80-11120-S	Clear Leggings, 30x35" (75x90cm)	20	16x12x14" (40x30x35cm)

Materials

- ONEZONE® Bi-Laminate Nonwoven Material (PP/PE)

Product Attributes

- Non linting

Sterilization

Sterile: Sterilized by EO (ethylene oxide). Product is sterile unless the package has been damaged or opened

Shelf Life

Sterile: 5 years

Product Certifications/Standards

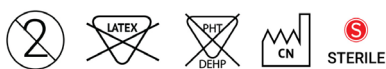
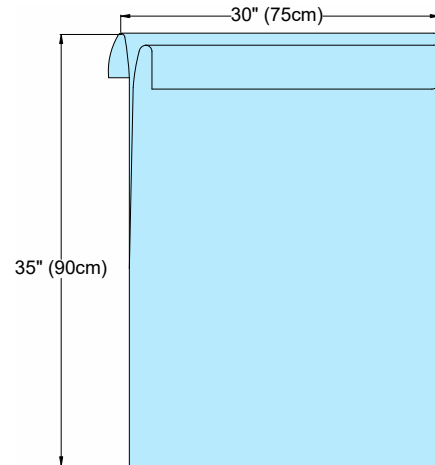
- CE certified as Class I, according to MDR 2017/745 Annex VIII, Rule 1

Manufacturing Certifications/Registrations

- EN ISO 13485:2016
- Medical Device Single Audit Process Certified

Storage

- General warehouse conditions



Alleset
4142 Industry Way
Flowery Branch, GA 30542,
USA

www.alleset.com

SM-TDS-003 2023

Country of Origin Abbreviations per ISO 3166-1, Alpha-2 Codes.

THINK.MAKE.PROTECT.



GRI Medical & Electronic Technology Co., LTD
1805 Honggao Road,
314031 Jiaxing, Zhejiang
PEOPLE'S REPUBLIC OF CHINA
www.alleset.com

US FDA Establishment Registration #3004911384



Emergo Europe B.V.
Westervoortsedijk 60,
6827 AT Arnhem,
The Netherlands
www.emergobyul.com

A GRI COMPANY

