

Surgical Drapes

Orthopedic

CODE	DESCRIPTION	CASE QTY	CASE DIMENSIONS
80-09173	Split Drape, 76x114" (193x290cm)	20	20x16x14" (52x32x36cm)
80-09173-S	Split Drape, 76x114" (193x290cm)	24	21x14x18" (54x35x46cm)
80-09173-HB	Split Drape, 76x114" (193x290cm)	144	43x43x18" (110x100x45cm)

Materials

- Multilayered SMS Material with Antistatic Properties and Alcohol Repellency
- White Polypropylene (PP)
- Tri-Laminate Nonwoven Material (PP/PP/PE)

Product Attributes

- Durable SMS material
- Split: 4x43" (10x109cm)
- Hook and loop tube holder
- Adhesive tape for secure placement

Sterilization

Sterile: Sterilized by EO (ethylene oxide). Product is sterile unless the package has been damaged or opened.

Non-Sterile: If a product is delivered non-sterile and is ultimately for use in sterile environments, it is intended to be sterilized by the re-packer. This includes further packaging and sterilization according to the validated processes of the re-packer. These products are to be sterilized by ethylene oxide (EO). Other methods of sterilization have not been validated by Alleset.

Shelf Life

Sterile: 5 years

Non-Sterile: Established at 5 years based upon sterile packaged product aging studies and normal warehouse storage conditions. After 5 years, the product should be performance tested to ensure compliance to specifications.

Product Certifications/Standards

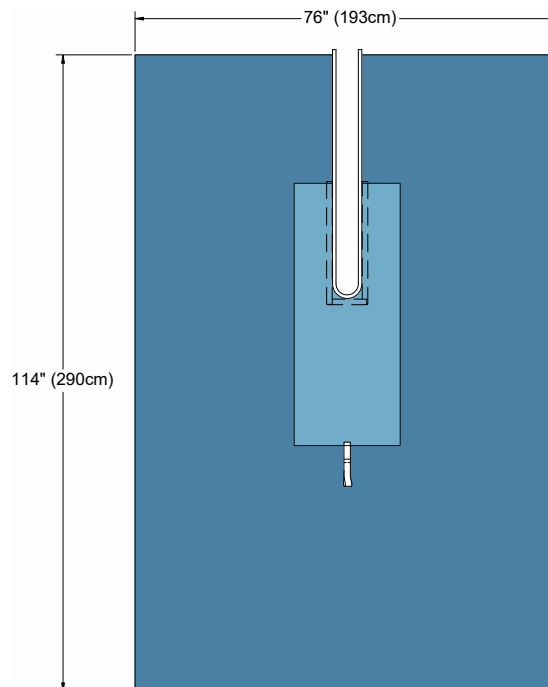
- CE certified as Class I, according to MDR 2017/745 Annex VIII, Rule 1

Manufacturing Certifications/Registrations

- EN ISO 13485:2016
- Medical Device Single Audit Process Certified

Storage

- General warehouse conditions



Alleset
4142 Industry Way
Flowery Branch, GA 30542,
USA
www.alleset.com
SM-TDS-003 2023
Country of Origin Abbreviations per ISO 3166-1, Alpha-2 Codes.

GRI Medical & Electronic Technology Co., LTD
1805 Honggao Road,
314031 Jiaxing, Zhejiang
PEOPLE'S REPUBLIC OF CHINA
www.alleset.com
US FDA Establishment Registration #3004911384

Emergo Europe B.V.
Westervoortsedijk 60,
6827 AT Arnhem,
The Netherlands
www.emergobyul.com

