

Surgical Drapes

Orthopedic

CODE	DESCRIPTION	CASE QTY	CASE DIMENSIONS
80-09104G	Orthopedic Hip Drape w/ Pockets, 114x126" (290x320cm)	8	18x11x21" (45x29x53cm)
80-09104G-S	Orthopedic Hip Drape w/ Pockets, 114x126" (290x320cm)	7	20x13x18" (51x33x46cm)

Materials

- Multilayered SMS Material with Antistatic Properties and Alcohol Repellency
- HydraGuard® Absorbent Reinforcement
- Conformable Fenestration Material

Product Attributes

- Heavy duty material
- Conformable teardrop fenestration
- Tube holders
- Armboard covers
- Side leg pockets
- Absorbent reinforcement material for fluid management

Sterilization

Sterile: Sterilized by EO (ethylene oxide). Product is sterile unless the package has been damaged or opened.

Non-Sterile: If a product is delivered non-sterile and is ultimately for use in sterile environments, it is intended to be sterilized by the re-packer. This includes further packaging and sterilization according to the validated processes of the re-packer. These products are to be sterilized by ethylene oxide (EO). Other methods of sterilization have not been validated by Alleset.

Shelf Life

Sterile: 5 years

Non-Sterile: Established at 5 years based upon sterile packaged product aging studies and normal warehouse storage conditions. After 5 years, the product should be performance tested to ensure compliance to specifications.

Product Certifications/Standards

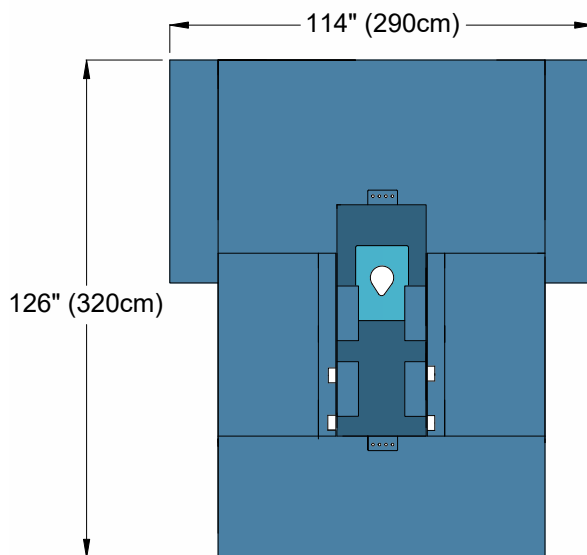
- CE certified as Class I, according to MDR 2017/745 Annex VIII, Rule 1

Manufacturing Certifications/Registrations

- EN ISO 13485:2016
- Medical Device Single Audit Process Certified

Storage

- General warehouse conditions



Alleset
4142 Industry Way
Flowery Branch, GA 30542,
USA
www.alleset.com
SM-TDS-003 2023
Country of Origin Abbreviations per ISO 3166-1, Alpha-2 Codes.

GRI Medical & Electronic Technology Co., LTD
1805 Honggao Road,
314031 Jiaxing, Zhejiang
PEOPLE'S REPUBLIC OF CHINA
www.alleset.com
US FDA Establishment Registration #3004911384

Emergo Europe B.V.
Westervoortsedijk 60,
6827 AT Arnhem,
The Netherlands
www.emergobyul.com

