

Surgical Drapes

Ophthalmic

CODE	DESCRIPTION	CASE QTY	CASE DIMENSIONS
80-08115	Ophthalmic Drape w/ Aperture and Fluid Collection Pouch, 55x96" (140x244cm)	36	23x15x16" (58x38x40cm)

Materials

- Multilayered SMS Material with Antistatic Properties and Alcohol Repellency
- Clear Polyethylene (PE) Film

Product Attributes

- Adhesive incise area with oval fenestration
- Fluid collection pouch
- Malleable breather bar

Sterilization

Non-Sterile: If a product is delivered non-sterile and is ultimately for use in sterile environments, it is intended to be sterilized by the re-packager. This includes further packaging and sterilization according to the validated processes of the re-packager. These products are to be sterilized by ethylene oxide (EO). Other methods of sterilization have not been validated by Alleset.

Shelf Life

Non-Sterile: Established at 5 years based upon sterile packaged product aging studies and normal warehouse storage conditions. After 5 years, the product should be performance tested to ensure compliance to specifications.

Product Certifications/Standards

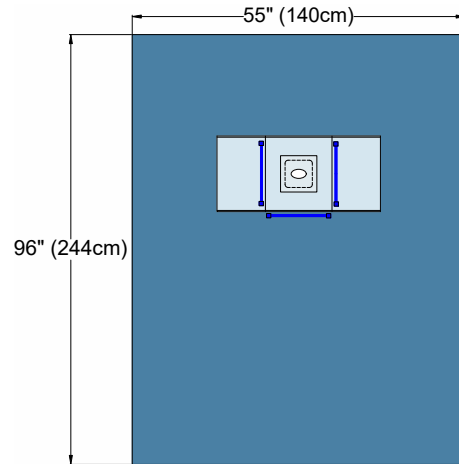
- CE certified as Class I, according to MDR 2017/745, Annex VIII, Rule 1

Manufacturing Certifications/Registrations

- EN ISO 13485:2016
- Medical Device Single Audit Process Certified

Storage

- General warehouse conditions



Alleset
4142 Industry Way
Flowery Branch, GA 30542,
USA

www.alleset.com

SM-TDS-003 2023

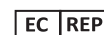
Country of Origin Abbreviations per ISO 3166-1, Alpha-2 Codes.

THINK.MAKE.PROTECT.



GRI Medical & Electronic Technology Co., LTD
1805 Honggao Road,
314031 Jiaxing, Zhejiang
PEOPLE'S REPUBLIC OF CHINA
www.alleset.com

US FDA Establishment Registration #3004911384



Emergo Europe B.V.
Westervoortsedijk 60,
6827 AT Arnhem,
The Netherlands
www.emergobyul.com

A GRI COMPANY

