

# Surgical Drapes

## Obstetrics/Gynecology

CODE	DESCRIPTION	CASE QTY	CASE DIMENSIONS
80-07102	C-Section Drape w/ Fenestrated Incise and Fluid Collection Pouch, 100x120" (254x305cm)	12	18x11x19" (45x29x48cm)

### Materials

- Multilayered SMS Material with Antistatic Properties and Alcohol Repellency
- Clear Polyethylene (PE) Film

### Product Attributes

- Armboard covers
- Foam banded pouch
- Tube holders
- Adhesive incise area with triangular fenestration
- Fluid collection pouch with suction port

### Sterilization

Non-Sterile: If a product is delivered non-sterile and is ultimately for use in sterile environments, it is intended to be sterilized by the re-packer. This includes further packaging and sterilization according to the validated processes of the re-packer. These products are to be sterilized by ethylene oxide (EO). Other methods of sterilization have not been validated by Alleset.

### Shelf Life

Non-Sterile: Established at 5 years based upon sterile packaged product aging studies and normal warehouse storage conditions. After 5 years, the product should be performance tested to ensure compliance to specifications.

### Product Certifications/Standards

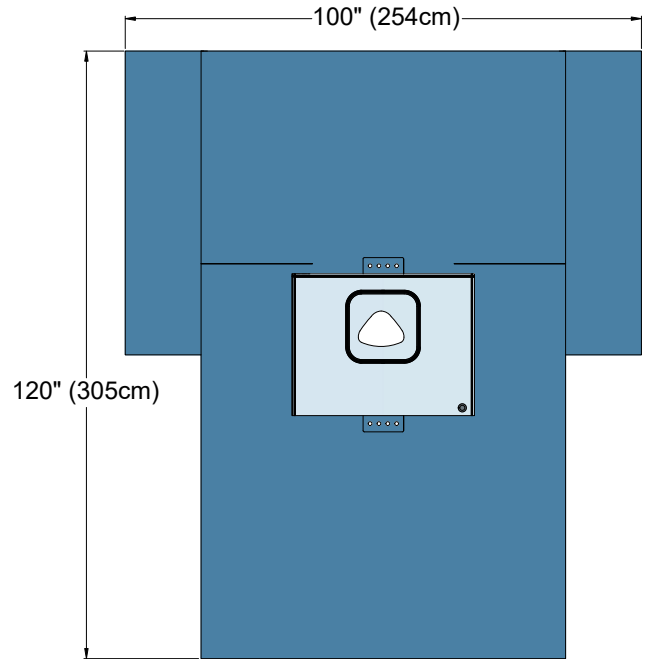
- CE certified as Class I, according to MDR 2017/745 Annex VIII, Rule 1

### Manufacturing Certifications/Registrations

- EN ISO 13485:2016
- Medical Device Single Audit Process Certified

### Storage

- General warehouse conditions



Alleset  
4142 Industry Way  
Flowery Branch, GA 30542,  
USA

www.alleset.com

SM-TDS-003 2023

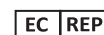
Country of Origin Abbreviations per ISO 3166-1, Alpha-2 Codes.

THINK.MAKE.PROTECT.



GRI Medical & Electronic Technology Co., LTD  
1805 Honggao Road,  
314031 Jiaxing, Zhejiang  
PEOPLE'S REPUBLIC OF CHINA  
www.alleset.com

US FDA Establishment Registration #3004911384



Emergo Europe B.V.  
Westervoortsedijk 60,  
6827 AT Arnhem,  
The Netherlands  
www.emergobyul.com

A GRI COMPANY

