

# CORE Room Turnaround Kits®

## ECO<sup>2</sup> Disposable Linens

CODE	DESCRIPTION	CASE QTY	CASE DIMENSIONS
E50-HRC001	ECO <sup>2</sup> Headrest Cover, 14.5x15" (36.8x38cm)	100	16x8x6" (40x21x16cm)

### Materials

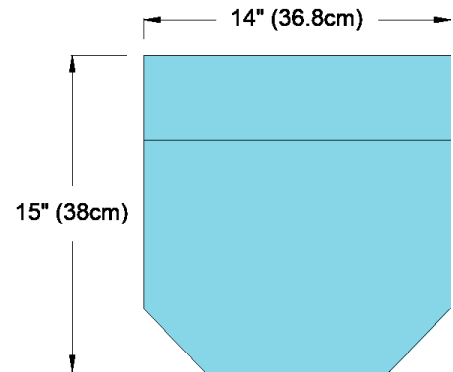
- ECO<sup>2</sup> Polypropylene (PP)/ Polyethylene (PE) Laminated Fabric

### Product Attributes

- Impervious laminated fabric
- Sonic bonded seams
- Certain components of this product incorporate ECO<sup>2</sup> sustainable materials which enhance product biodegradability

### Sterilization

Non-Sterile: If a product is delivered non-sterile and is ultimately for use in sterile environments, it is intended to be sterilized by the re-packer. This includes further packaging and sterilization according to the validated processes of the re-packer. These products are to be sterilized by ethylene oxide (EO). Other methods of sterilization have not been validated by Alleset.



### Shelf Life

Non-Sterile: Established at 5 years based upon sterile packaged product aging studies and normal warehouse storage conditions. After 5 years, the product should be performance tested to ensure compliance to specifications.

### Product Certifications/Standards

- CE certified as Class I, according to MDR 2017/745 Annex VIII, Rule 1
- ASTM D5511-12 Standard Test Method for Determining Anaerobic Biodegradation of Plastics Materials Under High-Solids Anaerobic Digestion Conditions

### Manufacturing Certifications/Registrations

- EN ISO 13485:2016
- Medical Device Single Audit Process Certified

### Storage

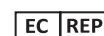
- General warehouse conditions



Alleset  
4142 Industry Way  
Flowery Branch, GA 30542,  
USA  
www.alleset.com  
SM-TDS-002 2022  
Country of Origin Abbreviations per ISO 3166-1, Alpha-2 Codes.



GRI Medical & Electronic Technology Co., LTD  
1805 Honggao Road,  
314031 Jiaxing, Zhejiang  
PEOPLE'S REPUBLIC OF CHINA  
www.alleset.com  
US FDA Establishment Registration #3004911384



Alleset Limited B.V.  
Kingsfordweg 151,  
1043 GR Amsterdam,  
The Netherlands  
www.alleset.com

