

Equipment Covers

ECO² X-Ray Cassette

| CODE | DESCRIPTION | CASE QTY | CASE DIMENSIONS |
|---------------|---------------------------------------------------------------------------------------------|----------|------------------------|
| E46-CAS2024 | ECO ² X-Ray Cassette Cover, Medium, Cuffed w/ Adhesive Closure, 20x24" (51x61cm) | 100 | 20x11x19" (52x29x47cm) |
| E46-CAS2024-S | ECO ² X-Ray Cassette Cover, Medium, Cuffed w/ Adhesive Closure, 20x24" (51x61cm) | 50 | 20x11x19" (52x29x47cm) |

Materials

- ECO² Clear Polyethylene (PE) Film

Product Attributes

- Clear Polyethylene film allows for visibility
- Adhesive closure
- Cuffed opening
- Certain components of this product incorporate ECO² sustainable materials which enhance product biodegradability

Sterilization

Sterile: Sterilized by EO (ethylene oxide). Product is sterile unless the package has been damaged or opened.

Non-Sterile: If a product is delivered non-sterile and is ultimately for use in sterile environments, it is intended to be sterilized by the re-packager. This includes further packaging and sterilization according to the validated processes of the re-packager. These products are to be sterilized by ethylene oxide (EO). Other methods of sterilization have not been validated by Alleset.

Shelf Life

Sterile: 5 years

Non-Sterile: Established at 5 years based upon sterile packaged product aging studies and normal warehouse storage conditions. After 5 years, the product should be performance tested to ensure compliance to specifications.

Product Certifications/Standards

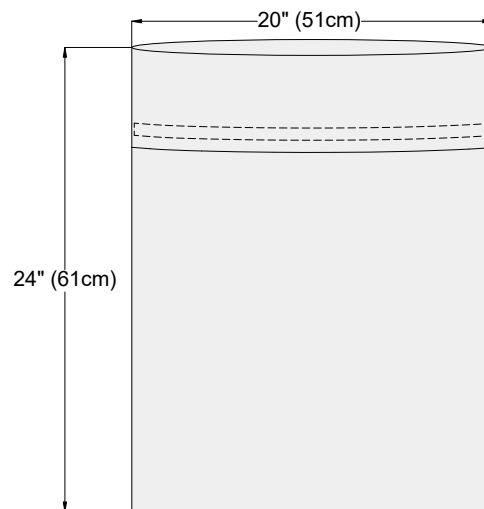
- CE certified as Class I, according to MDR 2017/745 Annex VIII, Rule 1
- ASTM D5511-12 Standard Test Method for Determining Anaerobic Biodegradation of Plastics Materials Under High-Solids Anaerobic Digestion Condition

Manufacturing Certifications/Registrations

- EN ISO 13485:2016
- Medical Device Single Audit Process Certified

Storage

- General warehouse conditions



Alleset
4142 Industry Way
Flowery Branch, GA 30542,
USA
www.alleset.com
SM-TDS-003 2023
Country of Origin Abbreviations per ISO 3166-1, Alpha-2 Codes.



GRI Medical & Electronic Technology Co., LTD
1805 Honggao Road,
314031 Jiaxing, Zhejiang
PEOPLE'S REPUBLIC OF CHINA
www.alleset.com
US FDA Establishment Registration #3004911384



Emergo Europe B.V.
Westervoortsedijk 60,
6827 AT Arnhem,
The Netherlands
www.emergobyul.com

