

# CORE Room Turnaround Kits®

## ECO<sup>2</sup> Draw Tape Bag

CODE	DESCRIPTION	CASE QTY	CASE DIMENSIONS
E50-DTCL01	ECO <sup>2</sup> Draw Tape Bag, Clear, 40x40" (102x102cm)	100	16x13x10" (41x33x25cm)
E50-DTRD01	ECO <sup>2</sup> Draw Tape Bag, Red, 40x40" (102x102cm)	100	16x13x10" (41x33x25cm)
E50-DTBL01	ECO <sup>2</sup> Draw Tape Bag, Blue, 40x40" (102x102cm)	100	16x13x10" (41x33x25cm)

### Materials

- ECO<sup>2</sup> Clear Polyethylene (PE) Film
- ECO<sup>2</sup> Red Polyethylene (PE) Film
- ECO<sup>2</sup> Blue Polyethylene (PE) Film

### Product Attributes

- Certain components of this product incorporate ECO2 sustainable materials which enhance product biodegradability
- Polyethylene draw tape closure

### Sterilization

**Non-Sterile:** If a product is delivered non-sterile and is ultimately for use in sterile environments, it is intended to be sterilized by the re-packer. This includes further packaging and sterilization according to the validated processes of the re-packer. These products are to be sterilized by ethylene oxide (EO). Other methods of sterilization have not been validated by Alleset.

### Shelf Life

**Non-Sterile:** Established at 5 years based upon sterile packaged product aging studies and normal warehouse storage conditions. After 5 years, the product should be performance tested to ensure compliance to specifications.

### Product Certifications/Standards

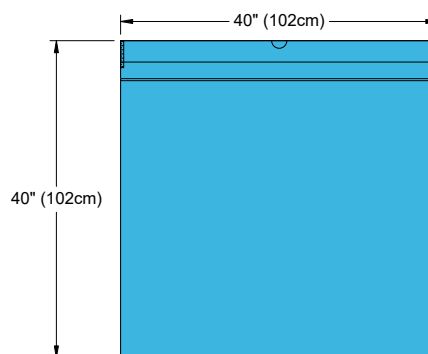
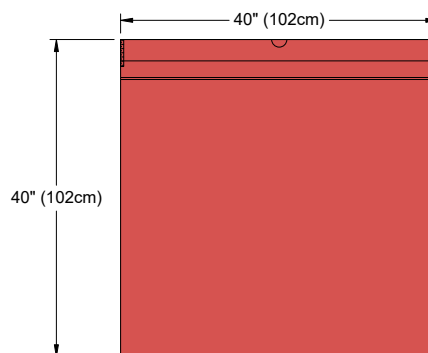
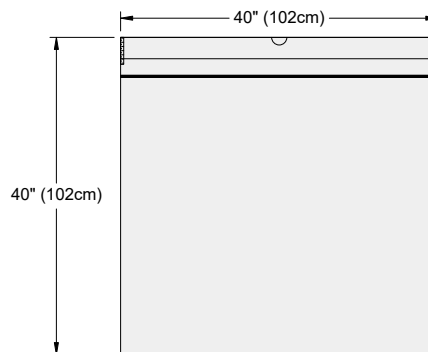
- CE certified as Class I, according to MDR 2017/745 Annex VIII, Rule 1
- ASTM D5511-12 Standard Test Method for Determining Anaerobic Biodegradation of Plastics Materials Under High-Solids Anaerobic Digestion Conditions

### Manufacturing Certifications/Registrations

- EN ISO 13485:2016
- Medical Device Single Audit Process Certified

### Storage

- General warehouse conditions



Alleset  
4142 Industry Way  
Flowery Branch, GA 30542,  
USA  
www.alleset.com  
SM-TDS-002 2022  
Country of Origin Abbreviations per ISO 3166-1, Alpha-2 Codes.

GRI Medical & Electronic Technology Co., LTD  
1805 Honggao Road,  
314031 Jiaxing, Zhejiang  
PEOPLE'S REPUBLIC OF CHINA  
www.alleset.com  
US FDA Establishment Registration #3004911384

GRI-Alleset Limited B.V.  
Kingsfordweg 151,  
1043 GR Amsterdam,  
The Netherlands  
www.alleset.com

