

# Equipment Covers

## ECO<sup>2</sup> C-Arm

CODE	DESCRIPTION	CASE QTY	CASE DIMENSIONS
E46-CARM23-S	ECO <sup>2</sup> C-Arm Cover, Mini w/ Poly Straps for OEC 6600 for Fluoroscanner, 41x84" (104x213cm)	50	23x15x15" (59x38x38cm)

### Materials

- ECO<sup>2</sup> Clear Polyethylene (PE) Film
- ECO<sup>2</sup> Polypropylene (PP) Filament String

### Product Attributes

- Certain components of this product incorporate ECO<sup>2</sup> sustainable materials which enhance product biodegradability
- Fits the GE OEC 6600 Mini C-Arm machine
- Adhesive poly strap securement
- Includes keyboard cover
- Includes footswitch cover

### Sterilization

Sterile: Sterilized by EO (ethylene oxide). Product is sterile unless the package has been damaged or opened.

### Shelf Life

Sterile: 5 years

### Product Certifications/Standards

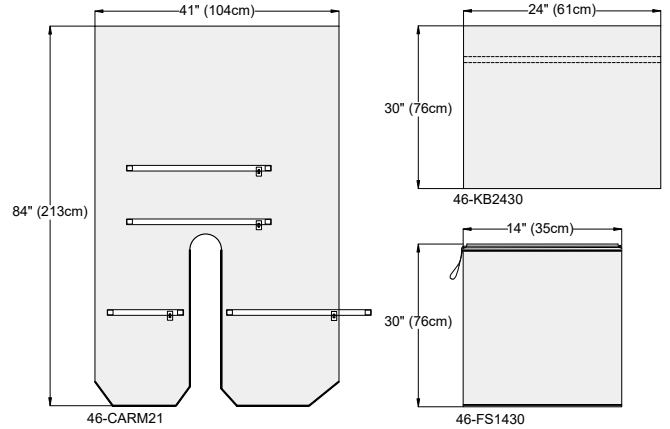
- Sterile: CE certified as Class I, according to MDD93/42/EEC Annex IX, Rule 1
- ASTM D5511-12 Standard Test Method for Determining Anaerobic Biodegradation of Plastics Materials Under High-Solids Anaerobic Digestion Conditions

### Manufacturing Certifications/Registrations

- EN ISO 13485:2016
- Medical Device Single Audit Process Certified

### Storage

- General warehouse conditions



Alleset  
4142 Industry Way  
Flowery Branch, GA 30542,  
USA  
www.alleset.com  
SM-TDS-003 2023  
Country of Origin Abbreviations per ISO 3166-1, Alpha-2 Codes.



GRI Medical & Electronic Technology Co., LTD  
1805 Honggao Road,  
314031 Jiaxing, Zhejiang  
PEOPLE'S REPUBLIC OF CHINA  
www.alleset.com  
US FDA Establishment Registration #3004911384



Emergo Europe B.V.  
Westervoortsedijk 60,  
6827 AT Arnhem,  
The Netherlands  
www.alleset.com

