

Equipment Covers

C-Arm Cover

CODE	DESCRIPTION	CASE QTY	CASE DIMENSIONS
46-CARM7	C-Arm Cover, Universal w/ Rubber Bands and Clips, 60x104"(152x264cm)	50	24x14x21" (60x36x54cm)
46-CARM7-S	C-Arm Cover, Universal w/ Rubber Bands and Clips, 60x104"(152x264cm)	25	18x16x10" (45x41x26cm)

Materials

- Clear Polyethylene (PE) Film

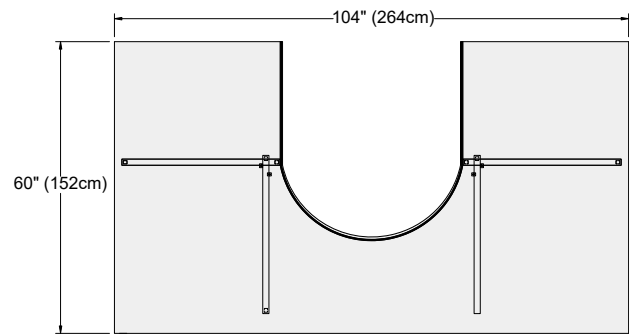
Product Attributes

- U-Shaped design
- Adhesive polystrap securement
- Rubber band and plastic clip securement

Sterilization

Sterile: Sterilized by EO (ethylene oxide). Product is sterile unless the package has been damaged or opened.

Non-Sterile: If a product is delivered non-sterile and is ultimately for use in sterile environments, it is intended to be sterilized by the re-packer. This includes further packaging and sterilization according to the validated processes of the re-packer. These products are to be sterilized by ethylene oxide (EO). Other methods of sterilization have not been validated by Alleset.



Shelf Life

Sterile: 5 years

Non-Sterile: Established at 5 years based upon sterile packaged product aging studies and normal warehouse storage conditions. After 5 years, the product should be performance tested to ensure compliance to specifications.

Product Certifications/Standards

- CE certified as Class I, according to MDR 2017/745 Annex VIII, Rule 1

Manufacturing Certifications/Registrations

- EN ISO 13485:2016
- Medical Device Single Audit Process Certified

Storage

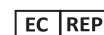
- General warehouse conditions



Alleset
4142 Industry Way
Flowery Branch, GA 30542,
USA
www.alleset.com
SM-TDS-003 2024
Country of Origin Abbreviations per ISO 3166-1, Alpha-2 Codes.



GRI Medical & Electronic Technology Co., LTD
1805 Honggao Road,
314031 Jiaxing, Zhejiang
PEOPLE'S REPUBLIC OF CHINA
www.alleset.com
US FDA Establishment Registration #3004911384



Emergo Europe B.V.
Westervoortsedijk 60,
6827 AT Arnhem,
The Netherlands
www.emergobyul.com

