

Equipment Covers

C-Arm

CODE	DESCRIPTION	CASE QTY	CASE DIMENSIONS
46-CARM23	C-Arm Cover, Mini w/ Poly Straps for OEC 6600 for Fluoroscan, 41x84" (104x213cm)	50	23x15x15" (59x38x38cm)
46-CARM23-S	C-Arm Cover, Mini w/ Poly Straps for OEC 6600 for Fluoroscan, 41x84" (104x213cm)	50	23x15x15" (59x38x38cm)

Materials

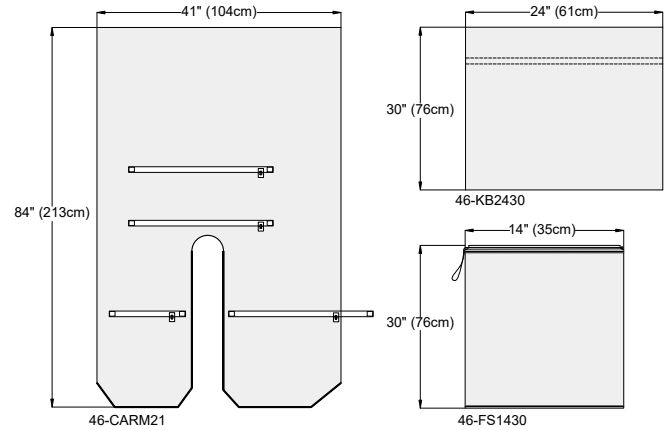
- Clear Polyethylene (PE) Film
- Polypropylene (PP) Filament String

Product Attributes

- Fits the GE OEC 6600 Mini C-Arm machine
- Adhesive poly strap securement
- Includes keyboard cover
- Includes footswitch cover

Sterilization

Sterile: Sterilized by EO (ethylene oxide). Product is sterile unless the package has been damaged or opened.
Non-Sterile: If a product is delivered non-sterile and is ultimately for use in sterile environments, it is intended to be sterilized by the re-packer. This includes further packaging and sterilization according to the validated processes of the re-packer. These products are to be sterilized by ethylene oxide (EO). Other methods of sterilization have not been validated by Alleset.



Shelf Life

Sterile: 5 years
Non-Sterile: Established at 5 years based upon sterile packaged product aging studies and normal warehouse storage conditions. After 5 years, the product should be performance tested to ensure compliance to specifications.

Product Certifications/Standards

- CE certified as Class I, according to MDR 2017/745 Annex VIII, Rule 1

Manufacturing Certifications/Registrations

- EN ISO 13485:2016
- Medical Device Single Audit Process Certified

Storage

- General warehouse conditions



Alleset
 4142 Industry Way
 Flowery Branch, GA 30542,
 USA

www.alleset.com

SM-TDS-003 2024

Country of Origin Abbreviations per ISO 3166-1, Alpha-2 Codes.



GRI Medical & Electronic Technology Co., LTD
 1805 Honggao Road,
 314031 Jiaxing, Zhejiang
 PEOPLE'S REPUBLIC OF CHINA
 www.alleset.com

US FDA Establishment Registration #3004911384



Emergo Europe B.V.
 Westervoortsedijk 60,
 6827 AT Arnhem,
 The Netherlands
 www.emergobyul.com

