

# CORE Room Turnaround Kits®

## ECO<sup>2</sup> Armboard Covers

CODE	DESCRIPTION	CASE QTY	CASE DIMENSIONS
E50-AMBC01	ECO <sup>2</sup> Armboard Cover, w/ 1 Strap, 13x30" (33x76cm)	150	16x15x18" (40.5x38x45cm)
E50-AMBC02	ECO <sup>2</sup> Armboard Cover, w/ 2 Straps, 13x30" (33x76cm)	150	16x15x24" (41x38x61cm)
E50-AMBC03	ECO <sup>2</sup> Armboard Cover, w/ 1 Strap w/ Slit, 13x30" (33x76cm)	150	TBD

### Materials

- ECO<sup>2</sup> Polypropylene (PP)/Polyethylene (PE) Laminated Fabric
- Foam Strap with Hook and Loop Closure

### Product Attributes

- Impervious laminated fabric
- Foam armboard strap included
- Sonic bonded seams help prevent strike through
- Certain components of this product incorporate ECO<sup>2</sup> sustainable materials which enhance product biodegradability

### Sterilization

**Non-Sterile:** If a product is delivered non-sterile and is ultimately for use in sterile environments, it is intended to be sterilized by the re-packer. This includes further packaging and sterilization according to the validated processes of the re-packer. These products are to be sterilized by ethylene oxide (EO). Other methods of sterilization have not been validated by Alleset.

### Shelf Life

**Non-Sterile:** Established at 5 years based upon sterile packaged product aging studies and normal warehouse storage conditions. After 5 years, the product should be performance tested to ensure compliance to specifications.

### Product Certifications/Standards

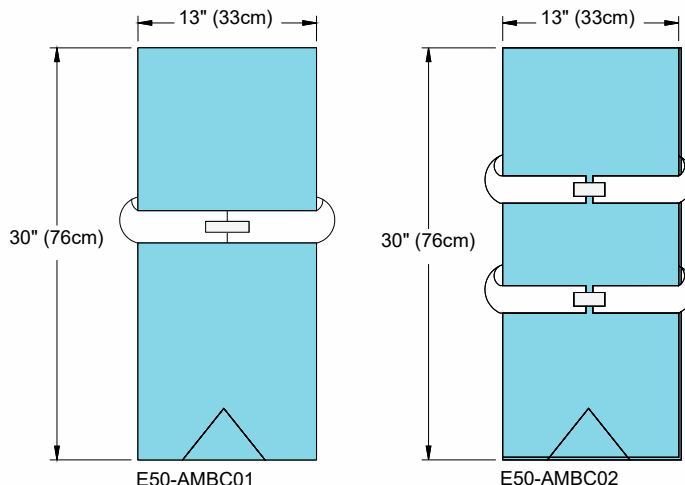
- CE certified as Class I, according to MDR 2017/745 Annex VIII, Rule 1
- ASTM D5511-12 Standard Test Method for Determining Anaerobic Biodegradation of Plastics Materials Under High-Solids Anaerobic Digestion Conditions

### Manufacturing Certifications/Registrations

- EN ISO 13485:2016
- Medical Device Single Audit Process Certified

### Storage

- General warehouse conditions



Alleset  
4142 Industry Way  
Flowery Branch, GA 30542,  
USA  
www.alleset.com  
SM-TDS-003 2023  
Country of Origin Abbreviations per ISO 3166-1, Alpha-2 Codes.



GRI Medical & Electronic Technology Co., LTD  
1805 Honggao Road,  
314031 Jiaxing, Zhejiang  
PEOPLE'S REPUBLIC OF CHINA  
www.alleset.com  
US FDA Establishment Registration #3004911384



Alleset Limited B.V.  
Kingsfordweg 151,  
1043 GR Amsterdam,  
The Netherlands  
www.alleset.com

