

Surgical Sharps Safety

Sharps Transfer Tray

	CODE	DESCRIPTION	CASE QTY	CASE DIMENSIONS
	30-1000	Sharps Transfer Tray, Yellow, 9x4x2" (24x11x5cm)	120	20x10x12" (51x25x30cm)
	30-1000-S	Sharps Transfer Tray, Yellow, 9x4x2" (24x11x5cm)	60	24x20x12" (61x50x30cm)

Materials

- High Impact Polystyrene (HIPS)

Product Attributes

- Designed to transfer instruments.

Sterilization

Sterile: Sterilized by EO (ethylene oxide). Product is sterile unless the package has been damaged or opened.
Non-Sterile: If a product is delivered non-sterile and is ultimately for use in sterile environments, it is intended to be sterilized by the re-packer. This includes further packaging and sterilization according to the validated processes of the re-packer. These products are to be sterilized by ethylene oxide (EO). Other methods of sterilization have not been validated by Alleset.

Shelf Life

Sterile: 5 years
Non-Sterile: Established at 5 years based upon sterile packaged product aging studies and normal warehouse storage conditions. After 5 years, the product should be performance tested to ensure compliance to specifications.

Product Certifications/Standards

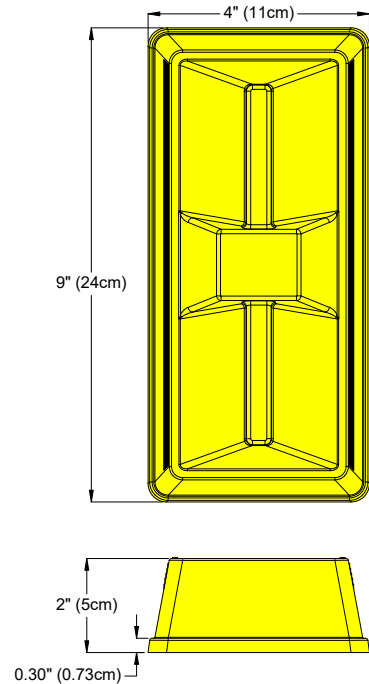
- CE certified as Class I, according to MDR 2017/745, Annex VIII, Rule 1

Manufacturing Certifications/Registrations

- EN ISO 13485:2016
- Medical Device Single Audit Process Certified.

Storage

- General warehouse conditions



Alleset
 4142 Industry Way
 Flowery Branch, GA 30542,
 USA
www.alleset.com
 SM-TDS-003 2024
 Country of Origin Abbreviations per ISO 3166-1, Alpha-2 Codes.

GRI Medical & Electronic Technology Co., LTD
 1805 Honggao Road,
 314031 Jiaxing, Zhejiang
 PEOPLE'S REPUBLIC OF CHINA
www.alleset.com
 US FDA Establishment Registration #3004911384

Emergo Europe B.V.
 Westervoortsedijk 60,
 6827 AT Arnhem,
 The Netherlands
www.emergobyul.com

