

Basins and Trays

Medicine Cups & Gallipots

CODE	DESCRIPTION	CASE QTY	CASE DIMENSIONS
15-0060	Cup, Medicine, 60cc, Clear	1150	15x12x15" (39x31x38cm)
15-0060-BL	Cup, Medicine, 60cc, Blue	1150	15x12x15" (39x31x38cm)
15-0060-RD	Cup, Medicine, 60cc, Red	1150	15x12x15" (39x31x38cm)
15-0060-GN	Cup, Medicine, 60cc, Green	1150	15x12x15" (39x31x38cm)
15-0060-YL	Cup, Medicine, 60cc, Yellow	1150	15x12x15" (39x31x38cm)
15-9006	Lid, Medicine Cup, 60cc	2000	20x13.5x13" (52x34.5x33.5cm)
15-0150	Cup, Medicine, 150ml	1000	14x17x17" (36x43x44cm)
15-0150-C	Cup, Medicine, 150ml, Clear	1000	14x17x17" (36x43x44cm)
15-GP60	Gallipot, 60cc (2 fl. oz.), Clear	750	15x13x11" (39x34x29cm)

Materials

Polypropylene (PP)

Product Attributes

- Translucent for easy and accurate measurement

Sterilization

Non-Sterile: If a product is delivered non-sterile and is ultimately for use in sterile environments, it is intended to be sterilized by the re-packer. This includes further packaging and sterilization according to the validated processes of the re-packer. These products are to be sterilized by ethylene oxide (EO). Other methods of sterilization have not been validated by Alleset.

Shelf Life

Non-Sterile: Established at 5 years based upon sterile packaged product aging studies and normal warehouse storage conditions. After 5 years, the product should be performance tested to ensure compliance to specifications.

Product Certifications/Standards

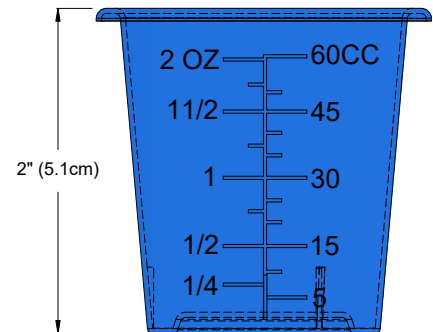
- CE certified as Class I, according to MDR 2017/745 Annex VIII, Rule 2

Manufacturing Certifications/Registrations

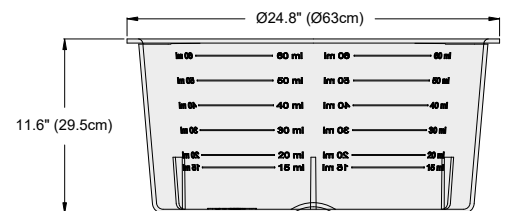
- EN ISO 13485:2016
- Medical Device Single Audit Process Certified

Storage

- General warehouse conditions



Medicine Cup



Gallipot



Alleset
4142 Industry Way
Flowery Branch, GA 30542,
USA
www.alleset.com
SM-TDS-003 2023
Country of Origin Abbreviations per ISO 3166-1, Alpha-2 Codes.

GRI Medical & Electronic Technology Co., LTD
1805 Honggao Road,
314031 Jiaxing, Zhejiang
PEOPLE'S REPUBLIC OF CHINA
www.alleset.com
US FDA Establishment Registration #3004911384

Emergo Europe B.V.
Westervoortsedijk 60,
6827 AT Arnhem,
The Netherlands
www.emergobyul.com

