

Basins and Trays

ECO² Assorted Trays

CODE	DESCRIPTION	CASE QTY	CASE DIMENSIONS
E15-0541	ECO ² Tray, Quarter Shallow, 4.7x5.4x1" (12x13.7x2.5cm)	600	16x12x25" (41x31x64cm)
E15-0542	ECO ² Tray, Quarter Deep, 4.7x5.4x2" (12x13.7x5cm)	600	16x12x25" (41x31x64cm)
E15-0904	ECO ² Tray, 2 Compartment, 9.4x4.3x1.8" (23.8x10.9x4.5cm)	300	20x15x14" (51x39x35cm)
E15-0910	ECO ² Tray, 3 Compartment, 9.8x9.4x2" (25x24x5cm)	150	21x11x19" (53x27x48cm)
E15-0911	ECO ² Tray, J-Wire, 11x9.7x2" (27.9x24.6x5cm)	150	20x11x17" (52x29x43cm)
E15-0951	ECO ² Tray, Half Shallow, 9.6x5.5x1" (24.5x14x2.5cm)	300	20x12x18" (52x31x46cm)
E15-0952	ECO ² Tray, Half Deep, 9.6x5.5x2" (24.5x14x5cm)	300	20x17x13" (52x44x33cm)
E15-1115	ECO ² Tray, Small Platform, 11x15x1" (28x38x2.7cm)	80	28x12x16" (71x31x40cm)
E15-1217	ECO ² Tray, X-Large, X-Deep, 17.7x12.5x2.5" (45x31.5x6.3cm)	30	23x13x19" (59x34x47cm)
E15-1219	ECO ² Tray, Small Mayo, 18.9x12.4x0.6" (48x31.7x1.5cm)	40	13x7x20" (34x18x51cm)
E15-1416	ECO ² Tray, Large Platform, 16.3x14.6x1" (41x38x2.5cm)	50	15x12x17" (39x31x44cm)
E15-1622	ECO ² Tray, Large Mayo, 21x15.7x0.8" (53x40x2cm)	30	17x7x22" (43x18x57cm)

Materials

- ECO² Polypropylene

Product Attributes

- Assorted sizes and compartments
- Rounded edges with reinforced corners
- Certain components of this product incorporate ECO² sustainable materials which enhance product biodegradability

Sterilization

Non-Sterile: If a product is delivered non-sterile and is ultimately for use in sterile environments, it is intended to be sterilized by the re-packer. This includes further packaging and sterilization according to the validated processes of the re-packer. These products are to be sterilized by ethylene oxide (EO). Other methods of sterilization have not been validated by Alleset.

Shelf Life

Non-Sterile: Established at 5 years based upon sterile packaged product aging studies and normal warehouse storage conditions. After 5 years, the product should be performance tested to ensure compliance to specifications.

Product Certifications/Standards

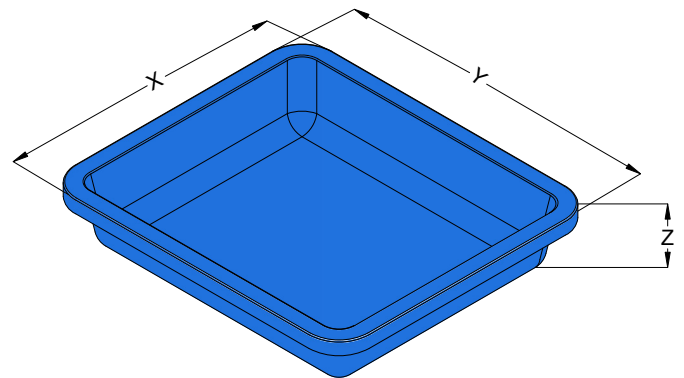
- CE certified as Class I, according to MDR 2017/745 Annex VIII, Rule 2
- ASTM D5511-12 Standard Test Method for Determining Anaerobic Biodegradation of Plastics Materials Under High-Solids Anaerobic Digestion Conditions

Manufacturing Certifications/Registrations

- EN ISO 13485:2016
- Medical Device Single Audit Process Certified

Storage

- General warehouse conditions



Alleset
4142 Industry Way
Flowery Branch, GA 30542,
USA

www.alleaset.com

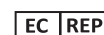
SM-TDS-003 2023

Country of Origin Abbreviations per ISO 3166-1, Alpha-2 Codes.



GRI Medical & Electronic Technology Co., LTD
1805 Honggao Road,
314031 Jiaxing, Zhejiang
PEOPLE'S REPUBLIC OF CHINA
www.alleaset.com

US FDA Establishment Registration #3004911384



Emergo Europe B.V.
Westervoortsedijk 60,
6827 AT Arnhem,
The Netherlands
www.emergobyul.com

